



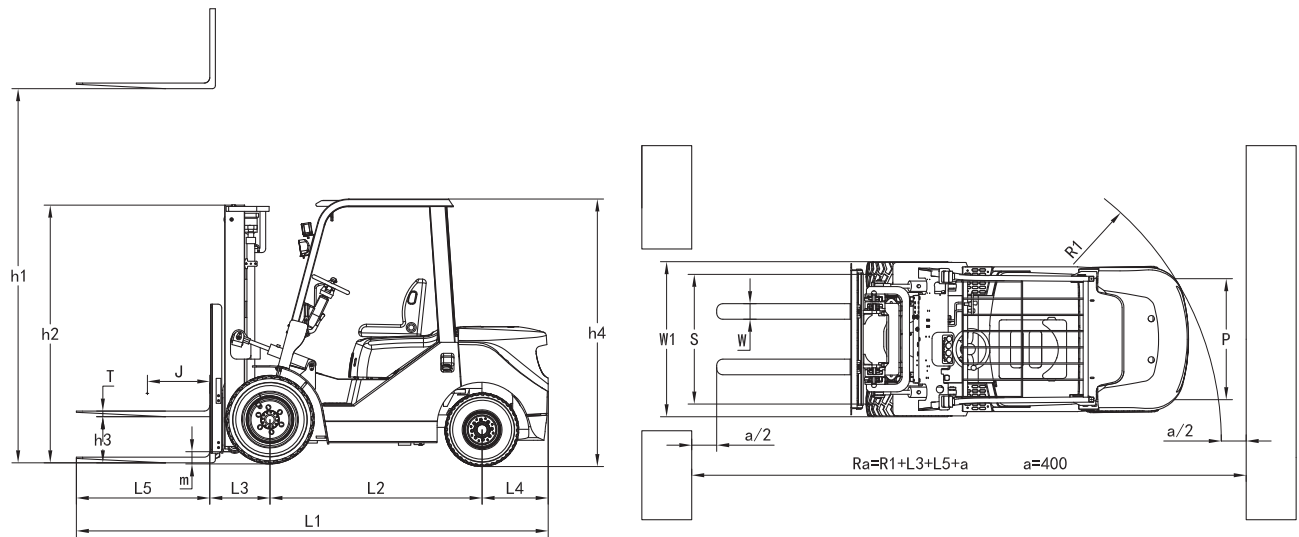
# FD15/18/20/25/30/35(E Series)

DIESEL FORKLIFT

**ZOOMLION**

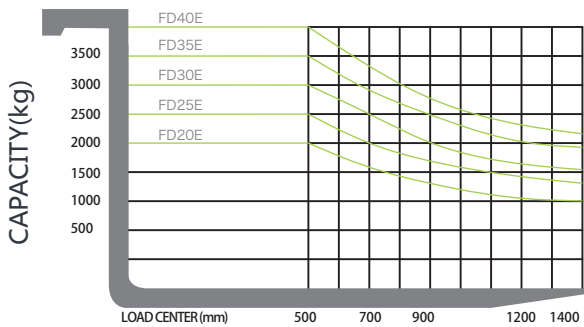
# ZOOMLION

## Machine 2D graph



## CAPACITY CHART

The load table: 2t-4t(Small)



## Specification of Optional Engine

Model	Rated Power/Speed (kW/r.p.m)	Rated torque (N · m/r.p.m)	Displacement (L)	Remarks
-				-
QUANCHAI 490GP	39/2650	157/1980	2.67	2-3.5T
ISUZU C240PKJ	34.3/2500	137.7/1800	2.369	2-3.5T
ISUZU 4JG2PE-01	44.9/2450	186.3/1800	3.059	2-4T
JMC493	39/2500	165/1800	2.369	2-3.5T
YANMA 4TNE92	32.8/2450	149.4/1600	2.659	2-2.5T
YANMA 4TNE98	44.1/2300	196.3/1700	3.319	2-4T
DACHAI CA498	45/2500	190/1800	2.98	4T
WEICHAI WP2.7	40/2650	165/1800	2.67	2-3.5T
QUANCHAI4C2-50M42	36.8/2500	150-154/1800	2.67	2-3.5T
XINCHANG4D27G40	36.8/2500	156/1800-2000	2.67	2-3.5T

# DIESEL FORKLIFT

## FD15/18/20/25/30/35 (E)

FEATURES		FD15	FD18	FD20E	FD25E	FD30E	FD35E
Power	—	Diesel	Diesel	Diesel	Diesel	Diesel	Diesel
Rated Capacity	kg	1500	1800	2000	2500	3000	3500
Center of load	J(mm)	500	500	500	500	500	500
Lifting height	h1(mm)	3000	3000	3000	3000	3000	3000
Free lifting height	h3(mm)	115	115	116	116	163	160
Forks L×W×H	L5×W×T(mm)	920×100×35	920×100×35	920×122×40	1070×122×40	1070×125×45	1070×125×50
Tilt Forward/Backward	°	6/12	6/12	6/12	6/12	6/12	6/12
Min.turning radius	R1(mm)	2060	2060	2305	2350	2493	2525
Min.ground clearance(Mast)	Ra(mm)	3680	3680	4100	4295	4446	4490
ground clearance(Mast)	m(mm)	105	105	110	110	120	120
Overhead guard height	h4(mm)	2040	2040	2150	2150	2170	2170
Front overhang	L3(mm)	400	400	475	475	480	495
Rear overhang	L4(mm)	410	410	470	490	530	570
PERFORMANCE							
Max.traveling speed(loaded)	km/h	16	16	19	19	20	20
Max.lifting speed (loaded/empty)	mm/s	460/510	460/510	470/510	470/510	470/520	470/520
Drawbar pull/Gradeability	kN/%	16/20	16/20	17/20	17/20	18/20	18/20
Size							
Overall length (without fork)	L1(mm)	2250	2250	3465	3635	3780	3835
Overall width	W1(mm)	1086	1086	1175	1175	1230	1230
Mast lowered height	h2(mm)	1955	1955	1995	1995	2065	2095
Mast extended height	mm	3860	3860	4025	4025	4260	4265
CHASSIS							
Tire Front	—	6.5-10-10PR	6.5-10-10PR	7.00-12-12PR	7.00-12-12PR	28×9-15-12PR	28×9-15-12PR
Tire Rear	—	5.00-8-10PR	5.00-8-10PR	6.00-9-10PR	6.00-9-10PR	6.50-10-10PR	6.50-10-10PR
Wheelbase	L2(mm)	1400	1400	1600	1600	1700	1700
Tread width(Front/Rear)	S/P(mm)	890/920	890/920	970/970	970/970	1000/970	1000/970
Curb weight(None-load)	kg	2680	2890	3480	3800	4350	4850
ENGINE							
Battery(Voltage/Capacity)	V/Ah	12/90	12/90	12/90	12/90	12/90	12/90
Engine(Model)	—	ISUZU C240	ISUZU C240	ISUZU C240	ISUZU C240	ISUZU C240	ISUZU 4JG2
Engine(Rated power)	kW/r.p.m	34.3/2500	34.3/2500	34.3/2500	34.3/2500	34.3/2500	44.9/2450
Engine(Rated torque)	N · m/r.p.m	137.7/1800	137.7/1800	137.7/1800	137.7/1800	137.7/1800	184.7/1700
Engine(Cylinder amount)	—	4	4	4	4	4	4
Engine(Bore × Stroke)	mm	86x102	86x102	86x102	86x102	86x102	95.4x107
Engine(Displacement)	L	2.369	2.369	2.369	2.369	2.369	3.059
Fuel tank	L	45	45	70	70	70	70
Transmission	—	1/1 Power Shift	1/1 Power Shift	1/1 Power Shift	1/1 Power Shift	1/1 Power Shift	1/1 Power Shift
Working pressure	MPa	14.5	14.5	17.5	17.5	17.5	17.5

The company reserve the right for specification change; Should any revision on specification, a further notice shall prevail.

STANDARD CONFIGURATION		OPTIONS		ATTACHMENT	
Wideview mast	2 piece multi valve	Speed limit valve	Hydraulic powered steering	<input type="checkbox"/> Cab	<input type="checkbox"/> Fire extinguishing muffler
Standard fork	Rear lamp	Engine flameout device	Adjustable steering wheel	<input type="checkbox"/> Heater	<input type="checkbox"/> Rotary work alarming light
Standard seat	Neutral indicator	Oil pressure indicator	Upper air intake device	<input type="checkbox"/> Solid tyre	<input type="checkbox"/> Fire extinguisher
Handle	Electric Horn	Durable pneumatic tire	Tilt oil passage self-locking valve	<input type="checkbox"/> Rear light	<input type="checkbox"/> Engine preheater
Timer	Turning signal	Key switch	Water temperature gauge	<input type="checkbox"/> Mini fan	<input type="checkbox"/> Optional painting
Backrest	Service brake	Overhead guard	Combined instrument pannel	<input type="checkbox"/> Double filter	<input type="checkbox"/> Tilt cylinder dust cover
Light switch	Traction pin	Reversing light	Hydraulic oil level gauge	<input type="checkbox"/> File clip	<input type="checkbox"/> Two/three stage full-free mast
Toolbox	Headlamp	Reversing buzzer	Lifting & tilting handle	<input type="checkbox"/> Windshield	<input type="checkbox"/> Double front tire and protector
Rubber pad	Parking brake	Hydraulic oil return filter		<input type="checkbox"/> Luxury seat	<input type="checkbox"/> Exhaust smoke purification
Tornado air filter	Rearview mirror	Hydraulic oil intake filter		<input type="checkbox"/> High exhaust	<input type="checkbox"/> muffer
					<input type="checkbox"/> Side shifter
					<input type="checkbox"/> Fork positioner
					<input type="checkbox"/> Hinged fork
					<input type="checkbox"/> Carpet boom
					<input type="checkbox"/> Extended fork
					<input type="checkbox"/> Fork cover
					<input type="checkbox"/> Lifting boom
					<input type="checkbox"/> Paper roll clamp
					<input type="checkbox"/> Bale clamp
					<input type="checkbox"/> Rotator
					<input type="checkbox"/> Barrel clamp

Duplex STANDARD MAST														
	Capacity					Mast height								Mast Tilt
Lifting	2T	2.5T	3T	3.5T	4T(Small)	2T-2.5T	2T-2.5T	3T	3T	3.5T	3.5T	4T(Small)	4T(Small)	
Height	Single tire					Forks landing	Height with Backrest	Forks landing	Height with Backrest	Forks landing	Height with Backrest	Forks landing	Height with Backrest	angle F/R
mm	kg	kg	kg	kg	kg	mm	mm	mm	mm	mm	mm	mm	mm	°
2000	2000	2500	3000	3500	4000	1495	3025	1565	3260	1595	3265	1660	3265	6/12
2500	2000	2500	3000	3500	4000	1745	3525	1815	3760	1845	3765	1910	3765	6/12
3000	2000	2500	3000	3500	4000	1995	4025	2065	4260	2095	4265	2160	4265	6/12
3300	2000	2500	3000	3500	4000	2145	4325	2215	4560	2245	4565	2310	4565	6/12
3500	2000	2500	3000	3500	4000	2245	4525	2315	4760	2345	4765	2410	4765	6/12
3700	2000	2500	3000	3500	4000	2345	4725	2415	4960	2445	4965	2510	4965	6/12
4000	2000	2500	3000	3500	3800/4000	2545	5025	2615	5260	2645	5265	2710	5265	6/12
4500	1800/*1900	2200/*2400	2600/*3000	2850/*3500	3200/*4000	2795	5525	2865	5760	2895	5765	2960	5765	6/6*6/12
5000	1300/*1700	1450/*2200	2100/*2850	2400/*3150	2700/*3550	3045	6025	3115	6260	3145	6265	3210	6265	6/6*6/6
5500	*1500	*1700	*2400	*2700	*2900	3345	6525	3415	6760	3445	6765	3510	6765	*3/6
6000	*1300	*1400	*2000	*2300	*2600	3595	7025	3665	7260	3695	7265	3760	7265	*3/6

Remark: \* means double tires

Duplex full free mast																			
	Capacity					Mast height								Free lifting height				Mast Tilt	
Lifting	2T	2.5T	3T	3.5T	4T(Small)	2T-2.5T	2T-2.5T	3T	3T	3.5T	3.5T	4T(Small)	4T(Small)	2T-2.5T	3T	3.5T	4T(Small)		
Height	Single tire					Forks landing	Height with Backrest	Forks landing	Height with Backrest	Forks landing	Height with Backrest	Forks landing	Height with Backrest	With Backrest				angle F/R	
mm	kg	kg	kg	kg	kg	mm	mm	mm	mm	mm	mm	mm	mm	mm	mm	mm	mm	mm	°
2000	2000	2500	3000	3500	4000	1495	3035	1565	3275	1595	3273	1660	3260	511	337	367	435		6/12
2500	2000	2500	3000	3500	4000	1745	3535	1815	3775	1845	3773	1910	3760	761	587	617	685		6/12
3000	2000	2500	3000	3500	4000	1995	4035	2065	4275	2095	4273	2160	4260	1011	837	867	935		6/12
3300	2000	2500	3000	3500	4000	2145	4335	2215	4575	2245	4573	2310	4560	1161	987	1017	1085		6/12
3500	2000	2500	3000	3500	4000	2245	4535	2315	4775	2345	4773	2410	4760	1261	1087	1117	1185		6/12
3700	2000	2500	3000	3500	4000	2345	4735	2415	4975	2445	4973	2510	4960	1361	1187	1217	1285		6/12
4000	2000	2500	3000	3500	3800/4000	2545	5035	2615	5275	2645	5273	2710	5260	1561	1387	1417	1485		6/12

Remark: Maximum increase of non-stop: 2T-2.5T-420mm, 3T-3.5T-580mm, 4T-485mm, Free lifting height of the shelf: 2T-2.5T+420mm, 3T-3.5T+580mm, 4T+485mm (\* means double tires)

Triplex mast																			
	Capacity					Mast height								Free lifting height				Mast Tilt	
Lifting	2T	2.5T	3T	3.5T	4T(Small)	2T-2.5T	2T-2.5T	3T	3T	3.5T	3.5T	4T(Small)	4T(Small)	2T-2.5T	3T	3.5T	4T(Small)		
Height	Single tire					Forks landing	Height with Backrest	Forks landing	Height with Backrest	Forks landing	Height with Backrest	Forks landing	Height with Backrest	With Backrest				angle F/R	
mm	kg	kg	kg	kg	kg	mm	mm	mm	mm	mm	mm	mm	mm	mm	mm	mm	mm	mm	°
3600	2000	2500	3000	3350	4000	1765	4625	1830	4865	1830	4870	1880	4800	781	602	607	657		6/6
4000	2000	2500	3000	3350	4000	1900	5025	1965	5270	1965	5275	2013	5255	916	737	742	790		6/6
4350	1870*2000	2370*2500	2870*3000	3270*3300	3600/*4000	2015	5375	2080	5615	2080	5620	2130	5605	1031	852	857	907		6/6
4500	1750*2000	2070*2500	2570*3000	3050*3300	3100/*4000	2065	5525	2130	5765	2130	5770	2180	5755	1081	902	907	957		6/6
4800	1650*1800	1750*2300	2250*2800	2700*3000	2800/*3600	2165	5825	2230	6065	2230	6070	2280	6055	1181	1002	1007	1057		6/6
5000	1450*1650	1500*2150	2000*2650	2450*2850	2600/*3400	2230	6025	2295	6260	2295	6265	2347	6255	1246	1067	1072	1124		6/6
5500	*1350	*1650	*2300	*2600	*2800	2395	6525	2460	6755	2460	6765	2513	6755	1411	1232	1237	1290		*3/6
6000	*1100	*1300	*2100	*2350	*2500	2615	7025	2680	7265	2680	7270	2730	7255	1631	1452	1457	1507		*3/6

Remark: Not to take the largest rise in the shelf: 2T-2.5T-410mm, 3T-3.5T-580mm, 4T-485mm, Free lifting height of the shelf: 2T-2.5T+410mm, 3T-3.5T+580mm, 4T+485mm, (\* means double tires)